



# Sandvik DC121R SURFACE DRILLS

## TECHNICAL SPECIFICATION

Sandvik DC121R is a remote controlled, hydraulic and self-propelled drilling unit on a 4- wheel drive carrier.

Typical applications for DC121R are foundation drilling, road cutting, trenching, bolting, line drilling in dimensional stone quarries, and other special drilling applications. Therefore DC121R is most often used by construction contractors, mines and quarries, and the municipal sector. Due to its versatility DC121R is often included in the equipment fleet of rental houses as well.

### KEY FEATURES

Hole diameter:	22 - 45 mm (7/8" - 1 3/4")
Rock tools:	19, 22 or 25 mm (3/4", 7/8" or 1") rods
Rock Drill	5,5 kW
Engine output:	37 kW
Flushing air:	1,2 m3/min, up to 8 bar
Production capacity:	300 - 540 m3/8h
Total weight :	2800 kg



#### STANDARD COMPONENTS

1 pc Rock drill RD106, hydraulic
1 pc Chain feed CF 100 x 32, incl. one set of jaws
1 pc Rod rack on the carrier
1 pc Boom DB 120, articulated
1 pc Carrier, rubber-tyred
1 pc Power pack, diesel driven, hydraulic pumps and on-board compressor
1 pc Hydraulic system, open center
1 pc Control system TA132E, with radio remote control for boom movements and drilling
1 pc Dust collection system DC 120 H, hydraulic
4 pcs Working lights
4 pcs Hydraulic jacks
1 Set Manuals, paper copy
1 Set Manuals, USB memory
EU-safety devices

#### THE JAWS FOR DRILL STEELS

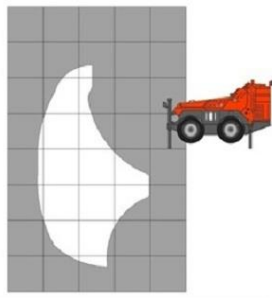
DRILL STEEL TYPE	DRILL STEEL DIAMETER	RECOMMENDED HOLE DIAMETER
Hexagonal steels	19 mm 3/4"	22 - 27 mm 7/8" - 1 1/16"
Hexagonal steels	22 mm 7/8"	28 - 45 mm 1 7/64" - 1 3/4"
Hexagonal steels	25 mm 1"	35 - 45 mm 1 3/8" - 1 3/4"
MF rods	R23	33 - 45 mm 1 5/16" - 1 3/4"
Shank adaptor/Shank rod	R23	33 - 45 mm 1 5/16" - 1 3/4"
Shank rod Alpha 250	25 mm 1"	35 - 45 mm 1 3/8" - 1 3/4"

#### SELECTION OF OPTIONS

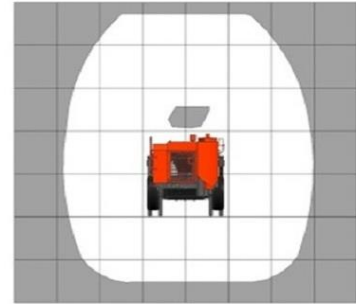
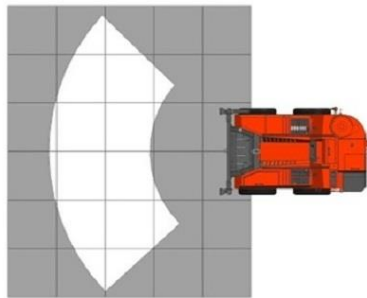
Spirit level angle indicator
TIM 1402 feed angle measuring system
TIM 1403 feed angle and depth measuring system
TIM 1404 feed angle measuring and aligning system
Kit for alternative steels, each
Biodegradable hydraulic oil
Central lubrication system Lincoln
Chain tracks
Electric fuel filling pump
Hydraulic winch
Manual fuel filling pump
Electric heater for engine 230 V
Exhaust gas purifier
Shut down of suction for water holes
Water flushing kit without water pump
Water pump for water flushing kit
Grinder Dynaset
Grinder Sandvik RG100H
Spare radio remote transmitter
Extra manuals, price will be added according to pricing sheet
First service kit for DC120
Tools for RD106, field kit (not include punches)
Punches for RD106, workshop kit
Service agreement - select level from extra item

COVERAGE AREA AND DIMENSIONS

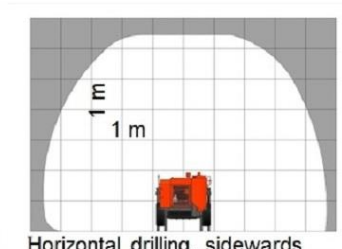
Vertical drilling



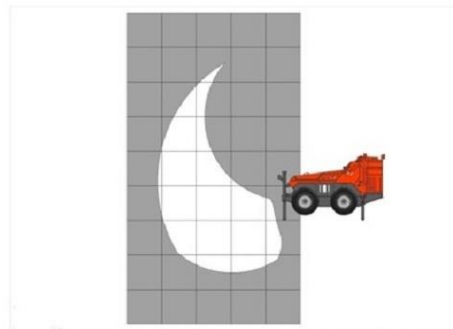
Vertical drilling



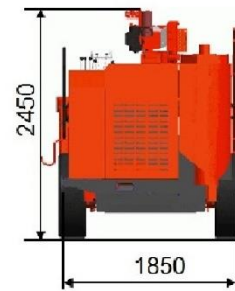
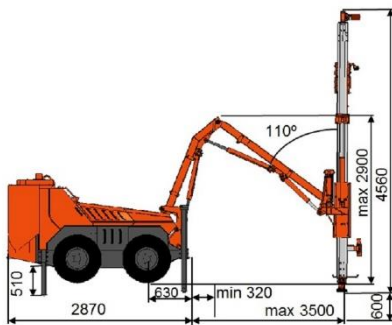
Horizontal drilling, forwards



Horizontal drilling, sideways  
With manual roll-over

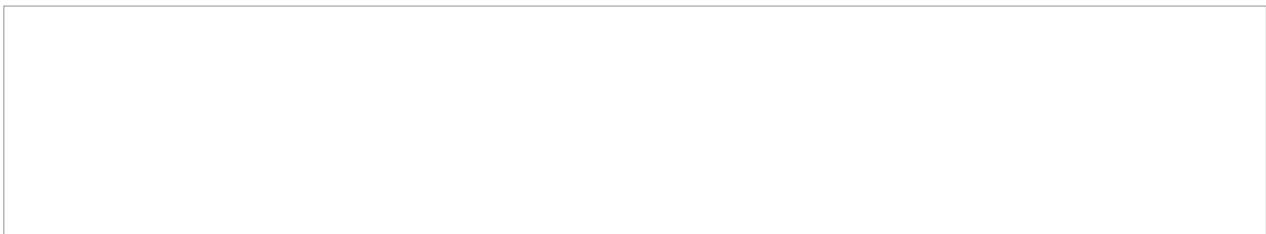


Horizontal drilling, sideways



DIMENSIONS

Weight	2800 kg
Width	1.8 m
Height	2.2 m
Total length	4.5 m



Sandvik Mining and Rock Technology reserves the right to make changes to the information on this data sheet without prior notification to users. Please contact a Sandvik representative for clarification on specifications and options.

ROCKTECHNOLOGY.SANDVIK